

**STIEBEL ELTRON**

# **DHC 6 XG / 8 XG**

English

**Instantaneous water heater - Operation and installation instructions**

This water heater must be installed (water and electrical installation), commissioned and serviced by approved service technicians in accordance with these instructions.

---

## General information

---

### General information

The chapter **Operation** is intended for users and qualified installers.

The chapter **Installation** is intended for qualified installers.



**Read these instructions carefully before using the appliance and retain them for future reference. If the appliance is passed on to a third party please hand these instructions to the new user.**



**This appliance can be used by children aged from 8 years and above and persons with reduced physical, sensory or mental capabilities or lack of experience and knowledge if they have been given supervision or instruction concerning use of the appliance in a safe way and understand the hazards involved.**



Children shall not play with the appliance.



Cleaning and user maintenance shall not be made by children without supervision.

---

# Content

---

**English**

- 1. Operation instruction** ..... 4
  - 1.1 Description of the unit ..... 4
  - 1.2 Using the unit ..... 4
  - 1.3 Description of the unit (External) ..... 5
  - 1.4 Earth Leakage Circuit Breaker (ELCB) ..... 6
  - 1.5 First Operation ..... 7
  - 1.6 Technical data ..... 8
  - 1.7 Regulations and Provisions ..... 9
  - 1.8 Important notes ..... 9
  - 1.9 Installation location ..... 9
  - 1.10 Care and maintenance ..... 9
- 2. Guarantee** ..... 10
- 3. Fault elimination for user** ..... 10
- 4. Installation Instruction** ..... 11
  - 4.1 Components of the unit ..... 11
  - 4.2 Installing the unit ..... 14

---

# 1. Operation Instruction for the user and the qualified installer

---

## 1.1 Description of the unit.

The STIEBEL ELTRON DHC...XG is a slim, pressurized instantaneous water heater. The DHC...XG heats the water while it is flowing through the unit. The heating power is switched on automatically in the event of the minimum flow rate being exceeded. The "Power" light indicates that the heating system is switched on.

The input of heat into the water is electronically controlled. Please set the desired heat input by using the knob on the front cover.

In addition the outlet temperature can be controlled at the draw off point.

This appliance is designed for domestic use. It can be used safely by untrained persons. The appliance can also be used in a non-domestic environment, e.g. in a small business, as long as it is used in the same way.



## Warning Injury

The appliance may be used by children aged 8 and up and persons with reduced physical, sensory or mental capabilities or a lack of experience provided that they are supervised or they have been instructed on how to use the appliance safely and have understood the resulting risks.

Children must never play with the appliance.

Children must never clean the appliance or perform user maintenance unless they are supervised.

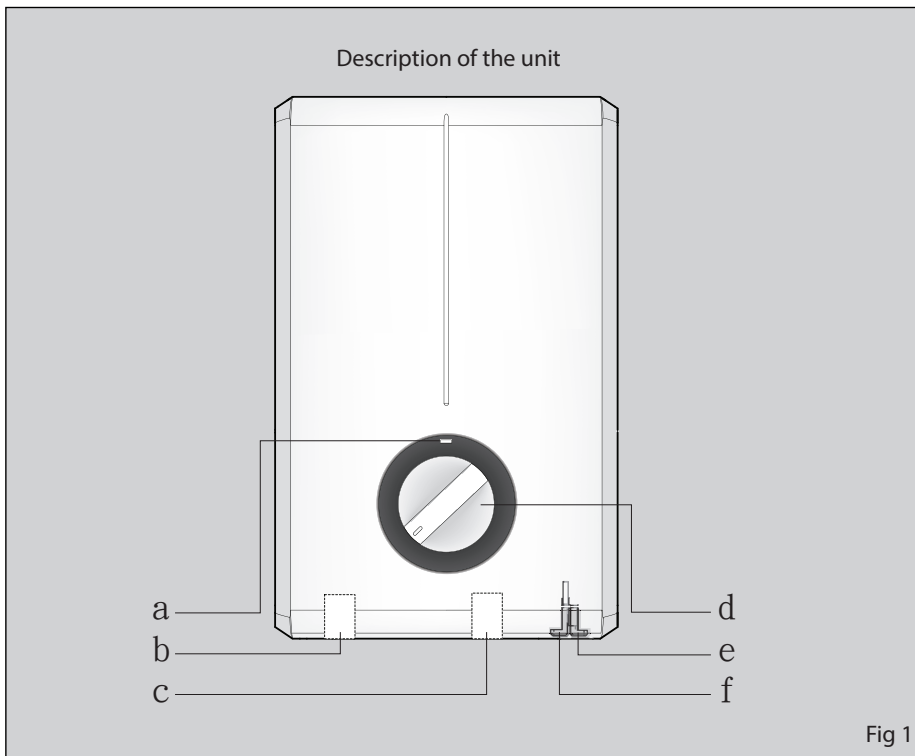
## 1.2 Using the unit

1. Turn the knob to adjust the desired temperature (Fig 1 # d).
2. Turn the hot water valve on. The lighting indicator will show at the front of the unit (Fig 1 # a).

# 1. Operation Instruction for the user and the qualified installer

## 1.3 Description of the unit

- a) Indicator light
- b) Hot water outlet pipe
- c) Cold water inlet pipe
- d) Temperature control knob
- e) ELCB Reset button
- f) ELCB Test button



### Warning

The DHC...XG water heater unit is to be installed in a closed, frost-free room (disconnected units are to be stored in a frost-free location, since there will always be some water left in the unit) The water heater is to be installed vertically on a wall (water connection downwards).



### Warning

For electrical heating appliances equipped with a heat cutoff device that does not reset the unit, the mains power supply must be disconnected first.

# 1. Operation Instruction for the user and the qualified installer

## 1.4 This model features an Earth Leakage Circuit Breaker (ELCB) (Type DHC...XG only), which should be test a monthly.

Before using this unit, switch on the electrical supply then press the Reset Button (E).

### How to test :

When the ELCB test button (F) is pressed the ELCB Reset (E) Button will drop. When the reset button (E) is pressed the unit will be ready to operate again.



### Warning !

If the unit does not operate, even pressing the Reset button (E), contact Stiebel service for a check and repair.



It is recommended to test the ELCB one time per month

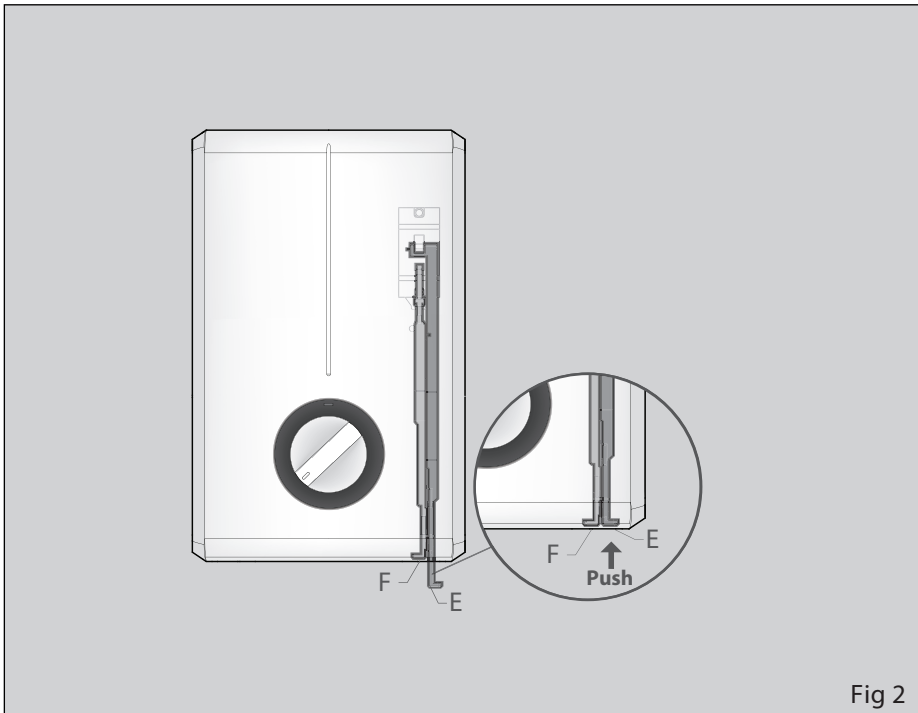


Fig 2

---

# 1. Operation Instruction

 for the user and the qualified installer

---

## 1.5 First Operation

The water heater should first be operated by an expert technician only.



Before turning on the water heater to start operation, pressed the ELCB test button and the ELCB Reset (E) Button will drop, open all of water valves fully at every point, so that water is able to flow through the heater and expel air from the pipe and the tank, until the water flow is constant. Please ensure that the water heater is functioning correctly, and close the valve again.

- Pressed the ELCB Reset to start operating the water heater.
- The indicator light will show.
- The DHC...XG Water Heater features a temperature control knob at the front of the unit.



### Warning !

When selecting an appropriate water temperature, the temperature may be dangerously high, especially for children. Keep away from the hot water outlet, as it may cause a potential scalding hazard.



### Warning !

Open hot water faucet for a few minutes until water flow is continuous and all air is purged from water pipes. The units plastic cover must be installed before the circuit breaker is turned on.

## Additional Safety.

If for any reason, excessive heating occurs the manual reset thermal cutout will cut off the power permanently \* Customer must call for service from a qualified technician.

# 1. Operation Instruction for the user and the qualified installer

## 1.6 Technical Data

Type		DHC 4 XG	DHC 6 XG	DHC 8 XG
Nominal capacity	l	0.32		0.37
Design		Closed, pressurized water heater		
Min. pressure	MPa (bar)	0.015 (0.15)	0.03 (0.3)	0.02 (0.2)
Max. pressure	MPa (bar)	1 (10)		
Min. flow rate		1.6 l/min		
Cold water connection		G ½" (External Thread)		
Dimension (W x H x D)	mm	216 x 342 x 73		
Weight	kg	2.0	2.0	2.2
Electrical connection		1/N/PE/AC 220...240 V.		
Recommended circuit breaker	A	25	32	40
Recommended cable size	Sqmm	2.5-4	4-6	6-8
Rated power	(kW)	kW - A	kW - A	kW - A
Rated current	(A) 220 V	4.0-18.2	6.0-27.3	8.0-36.4
	230 V	4.4-19.1	6.6-28.7	8.7-37.8
	240 V	4.8-20.0	7.1-29.6	9.5-39.6
Safety device		ELCB	ELCB	ELCB

### Note:

The cable sizes can only be a guiding value. Always abide by the corresponding local standards, laws and regulations.

Stiebel Eltron Asia Ltd. cannot be held liable for any damages.



# 1. Operation Instruction for the user and the qualified installer

## 1.7 Regulations and Provisions

- Regulations of the local power supply company should be observed.
- Regulations of the water supply company should be observed.
- Read & study the technical data.
- Install the unit vertically on the wall.
- Electrical connection to be secured.
- New hose-sets are to be used\* and old hose-sets should not be reused..

## 1.8 Important information

- Currently-applicable data on the supply rating plate.
- Install the unit flush with the wall.
- Piped supplementary heating is not permissible.
- Water installation material.  
Cold water : pipe-steel or copper.  
Hot water : pipe-copper.
- Electrical connection to permanently-installed leads via circuit breaker.
- Fitting for open-outlet units are not permitted.
- Safety valves are not required.



The device must be capable of being isolated from the mains, for example by fuses, with an isolating distance of at least 3.5 mm, in all poles.



### Connection wires in correct polarity (L,N).

- Connecting wires in wrong polarity (L,N) causes an abnormal condition which may lead to electric leaking, burning, etc.
- Before wiring, please check polarity (L,N) with voltage range of a testis or voltmeter by qualified technician



The unit must be connected to the protective earth conductor (see electric circuit diagram).

## 1.9 Installation location



The instantaneous water heater should be installed in an enclosed frost-free area, if possible close to the drawing-off point (when dismantled, the unit is to be stored in a place not subject to frost, because there will always be some residual water left inside). The unit is to be installed vertically, as in Example (Fig 1)

## 1.10 Care and maintenance



All the information in these instructions for operation and installation must be followed carefully. They provide important information regarding safety, operation, and maintenance of the unit.

A damp cloth is sufficient to clean the unit. Do not use any foaming or abrasive cleaning agents!



Maintenance work may only be carried out by a qualified installer.



When carrying out any work, disconnect the unit from the mains.

---

## 2. Guarantee

---

For guarantees please refer to the respective terms and conditions of supply for your country.



The installation, electrical connection and first operation of this appliance should be carried out by a qualified installer.



The company does not accept liability for any failure caused by improper installation and / or unauthorized installers.

---

## 3. Fault elimination for the user

---

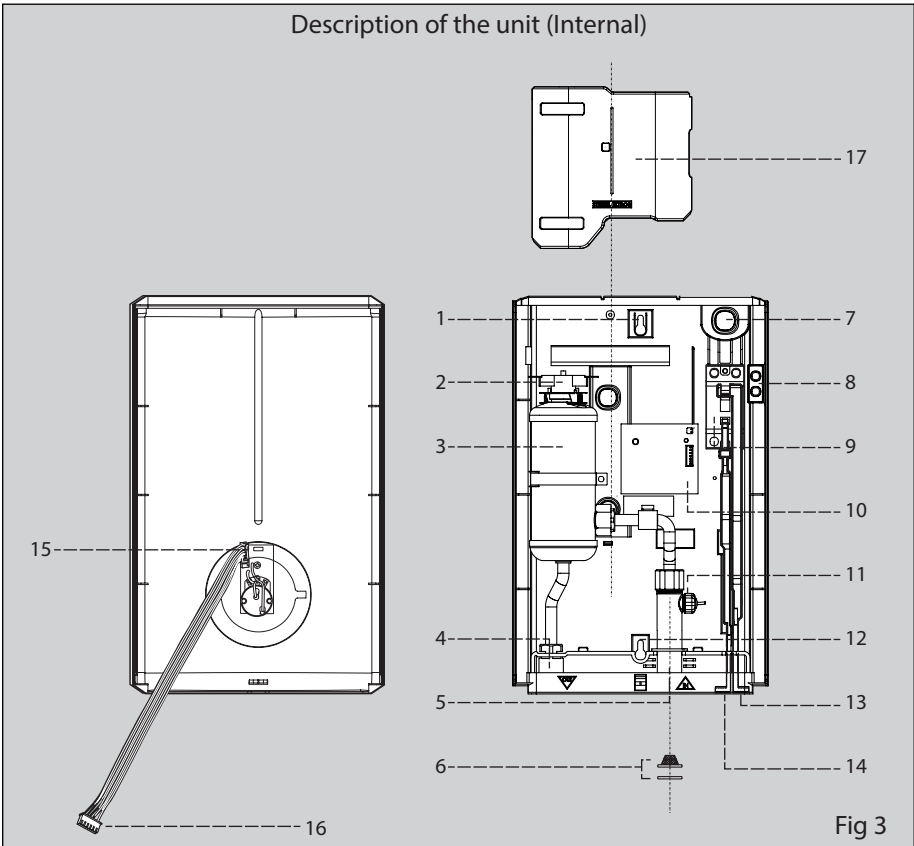
<b>Fault</b>	<b>Cause</b>	<b>Rectification</b>
No hot water despite water flow through the unit.	- The water flow volume required for the unit to turn it on has not been reached.	- Increase flow volume
	- Water flow too high	- Reduce water flow
	- Water flow too high - Heating setting too low	- Turn knob to the right (max. position)
	- ELCB activated.	- Press the ELCB Reset button.

# 4. Installation Instruction for the qualified installer

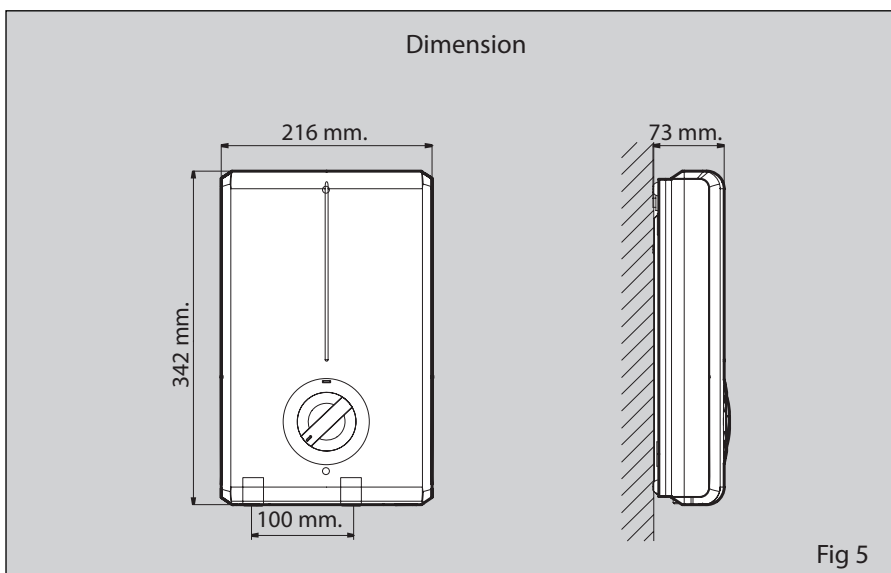
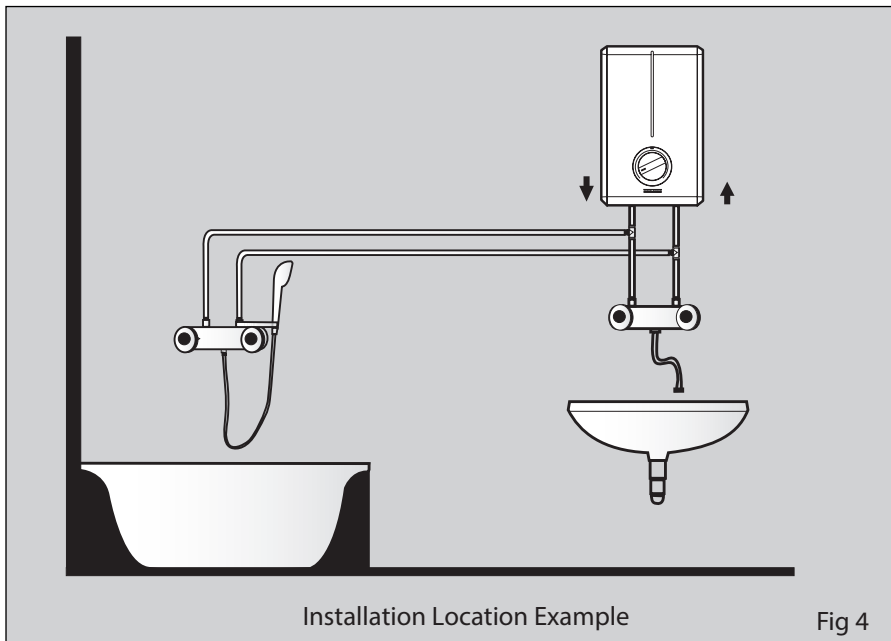
## 4.1 Detailed description

- 1. Uper fixing hole
- 2. Thermostat
- 3. Copper Tank
- 4. Hot water connection
- 5. Cold water connection
- 6. Combination filter/seal
- 7. Cable entry with seal
- 8. Terminal block for earth wire
- 9. ELCB

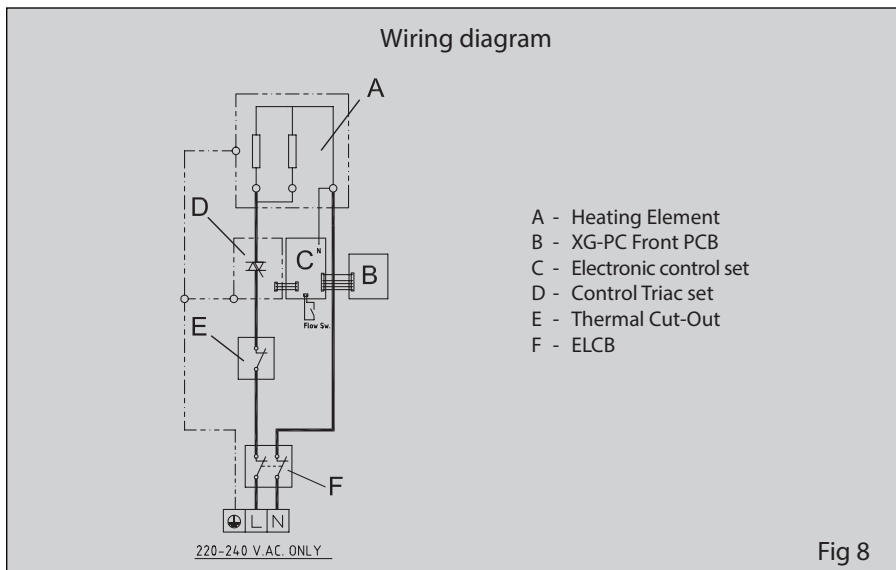
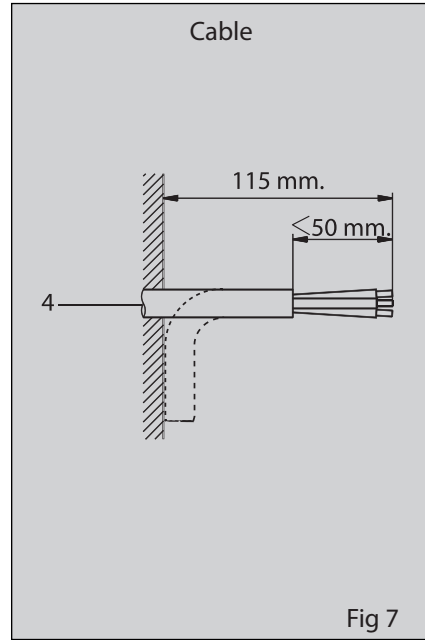
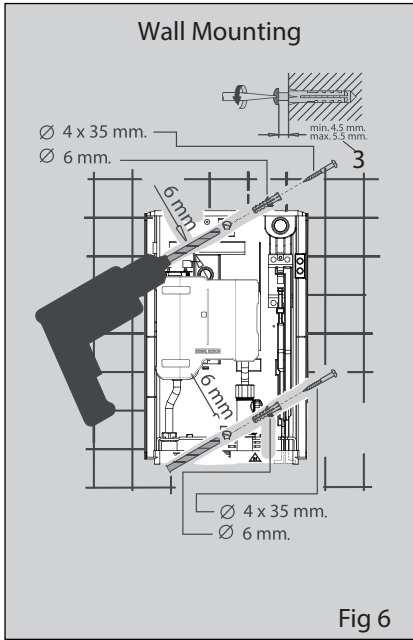
- 10. Connector to PCB control (Base)
- 11. Reed switch
- 12. Lower fixing hole
- 13. ELCB reset button
- 14. ELCB test button
- 15. Power Light
- 16. Connector to PCB Control (Cover)
- 17. PCB Cover



## 4. Installation Instruction for the qualified installer



## 4. Installation Instruction for the qualified installer



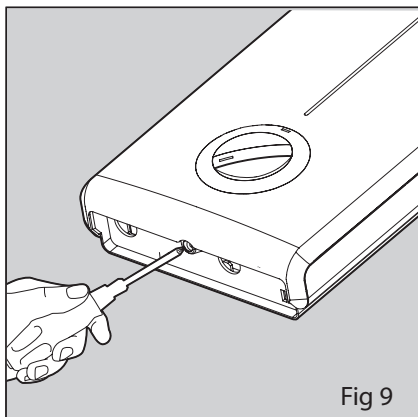
## 4. Installation Instruction for the qualified installer

### 4.2 Installation the unit

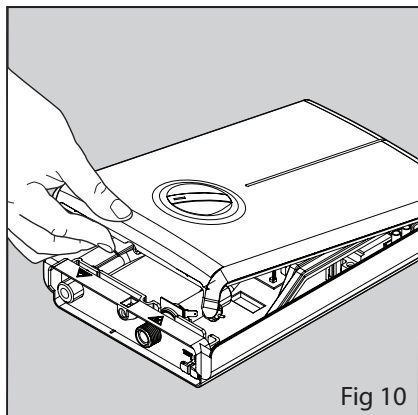
Preparation before installation of the unit:



Switch off main breaker for water heater.

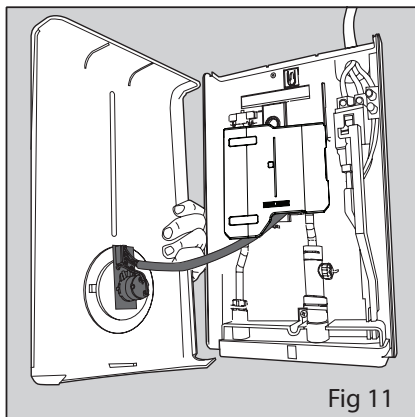


- Remove the screw from underneath the water heater

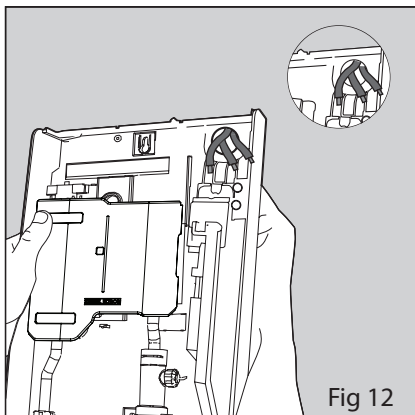


- Open the cover of the unit.

- Place a drilling guide at the drilling position in order to drill a hole in the wall (Fig 6).
- Insert a wall plug and screw in (the depth of the protruding screw head must be correct) (Fig 6#3).
- Ensure that the ELCB must be switched off.




- Remove the plug connecting the cover of the unit.

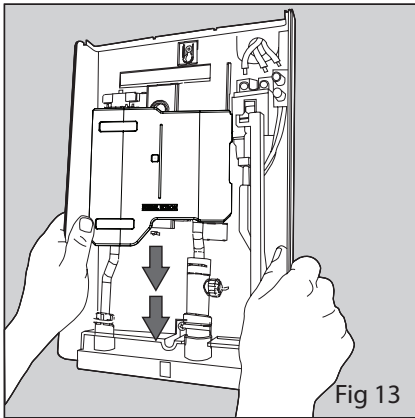


- Insert the cable through the rubber seal at the rear of the unit. Please ensure that the power is turned off at the mains.

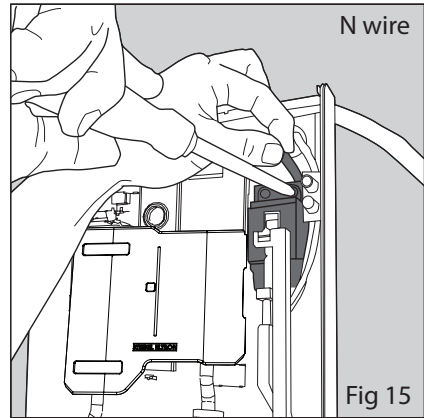
## 4. Installation Instruction for the qualified installer

- A circuit breaker or power control switch should be installed before the unit. The size of the circuit breaker must correspond to the voltage of the heater (check the size of the circuit breaker in the Technical Information section).

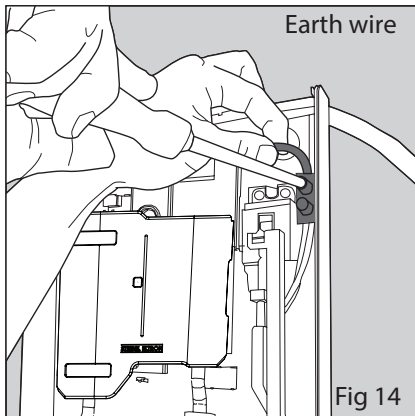
 The unit must be earthed properly (see circuit diagram (Fig 8)).



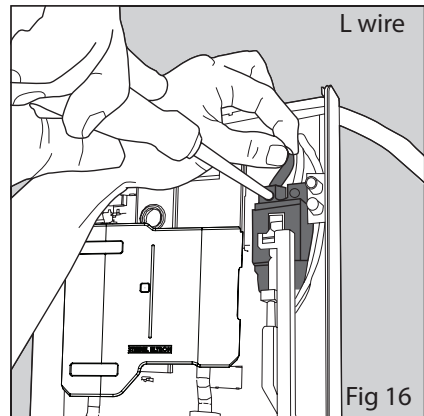
- Hang the heater on the screws mounted on the wall, and slide the heater down into position.



- Fit a secure connection cable ensure dimensions are correct.

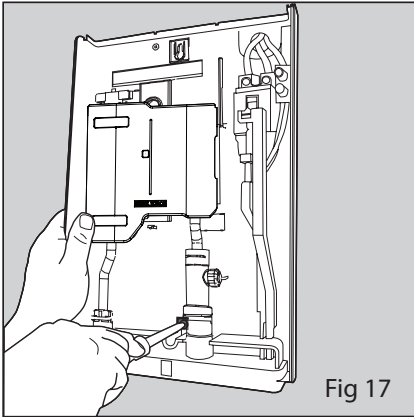


- Insert the Earth wire to the terminal block for earth wire

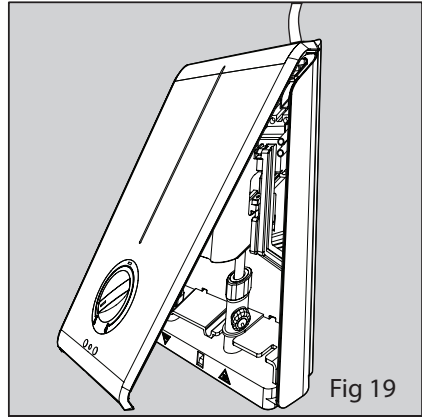


- See recommended cable size in technical data table

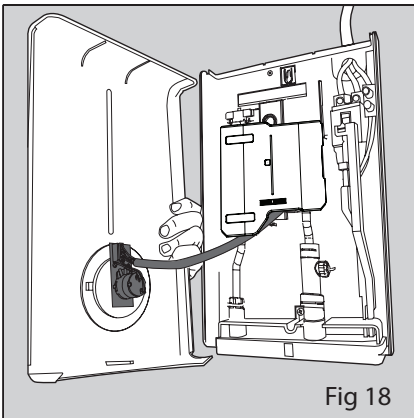
## 4. Installation Instruction for the qualified installer



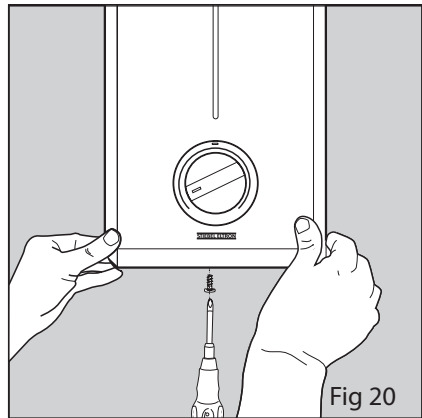
- Straighten the unit and tighten the screws.



- Close the casing



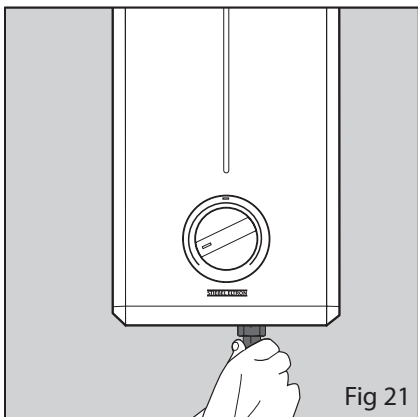
- Connect the electrical supply into the PCB control.



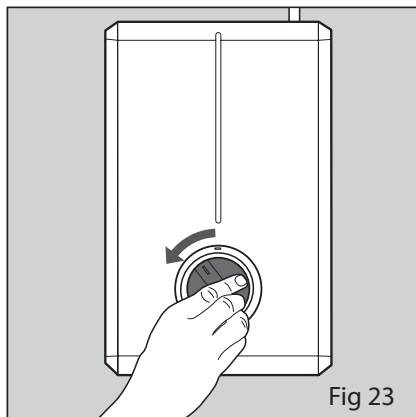
- Tighten the screws.



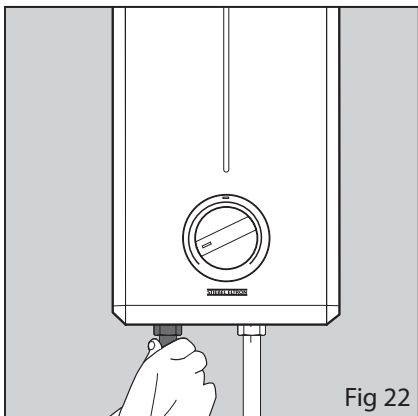
## 4. Installation Instruction for the qualified installer



- Fit the cold water pipe



- Turn the rotary temperature control to the "off" position.



- Fit the hot water pipe

Size:A5

Material: Green read paper 75 g.

Plastic bag : 7 x 11 INCH

Part no. 7901-304852

Part name : Operating instruction DHC 6,8 XG En-Th

Rev.01

Product code : DHC 4 XG (STE) : 234124 / DHC 6 XG (STE) : 233226 / DHC 8 XG (STE) : 233227

Country of origin : Thailand