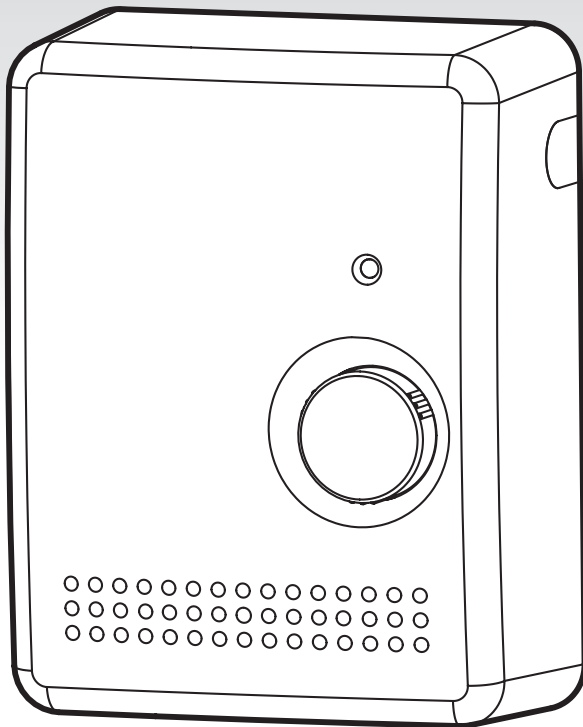


ZANKER

GERMANY

MET 60

Instantaneous water heater Operation and installation instructions



This water heater must be installed (water and electrical installation), commissioned and serviced by approved service technicians in accordance with these instructions.

SIZE : A5
MATERIAL : GREEN READ PAPER 75 G.
PLASTIC BAG : 7 x 11 INCH
PART NO. 7901-281995
PART NAME : MANUAL MET 60
REV.00
PRODUCT CODE : MET 60 : 113H-227300

1. Installation instructions for the user and the qualified installer

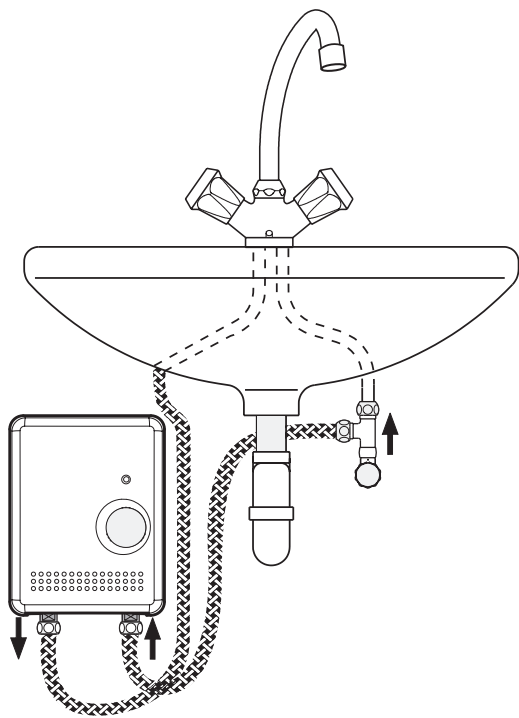


Fig 1

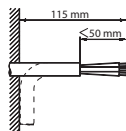


Fig 2

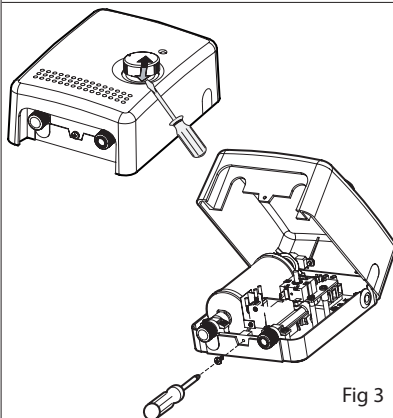


Fig 3

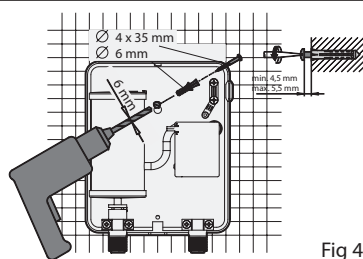


Fig 4

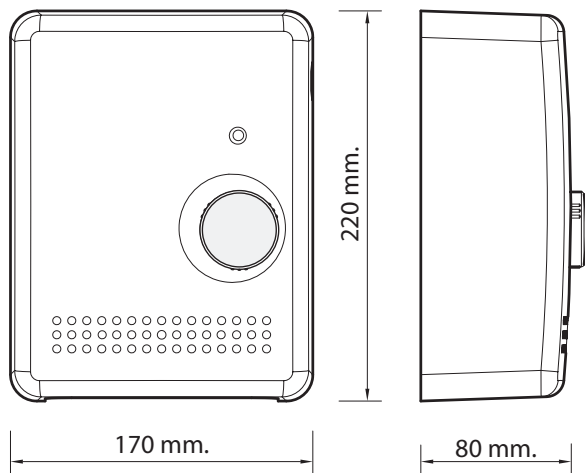


Fig 5

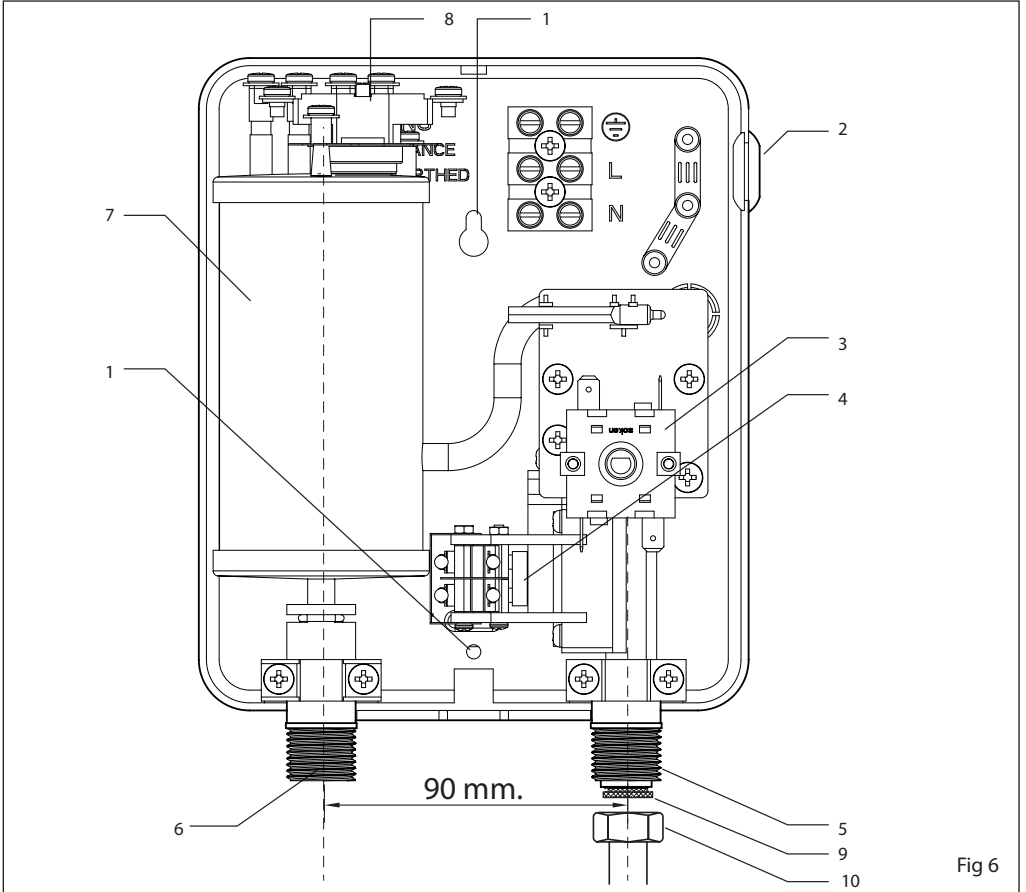
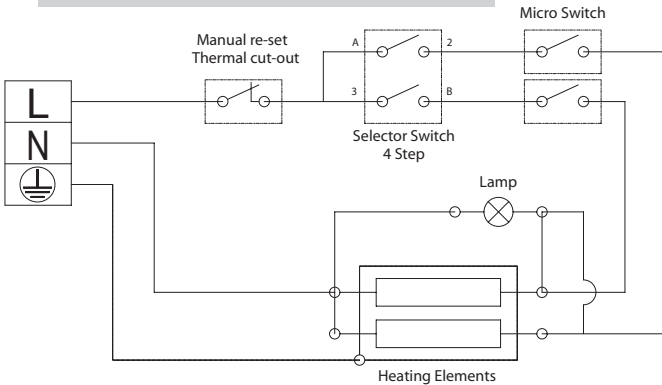


Fig 6



Warning:
As with any electric appliance, failure to electrically ground unit may result in serious injury or death.



The Position Table
Selector Switch 4 Step

POSITION	A		B	
	1	2	3	4
OFF				
LOW		⊖		
MID			⊖	
HIGH		⊖	⊖	

Fig 7

1. Installation instructions for the user and the qualified installer

1.1 Description of the unit

This manual must be read carefully before attempting to install the mini multipoint water heater. If you do not follow the safety rules or the instructions outlined in this manual, the unit may not operate properly and it could cause property damage, serious body injury and/or death.

ZANKER will not be liable for any damages because of failure to comply with the installation and operating instructions outlined in this manual or because of improper use. Improper use includes the use of this appliance to heat any liquid other than water. Failure to comply with the installation and operating instructions or improper use voids warranty. Never remove the unit's plastic cover unless the electricity is turned off.

If you have any questions regarding the installation or operation of this water heater, or if you need an additional installation manual, please call our technical service line and we will refer you to a qualified ZANKER service representative in your area.

General

The Mini Multipoint water heater does not store hot water. Instead, water is heated instantaneously as it flows through the unit.

The input of heat into the water is electronically controlled. Please set the desired temperature using the knob on the front cover. The LED lights up when the unit is "ON".

1.2 Detail description (Fig 6)

1. Fixing hole (2 nos.)
2. Cable seal
3. Step switch
4. Differential pressure switch assembly
5. Cold water connection
9. Hot water connection
7. Water container assembly
8. Thermostat
9. Filter
10. Union nut (provided by client)

1.3 Installation instruction for the qualified installer

1. Install the Mini Multipoint as close as possible to the main hot water draw-off points.
2. Leave a minimum of 5" of clearance on all sides for servicing.
3. Remove plastic cover. (Fig 3)
4. Mount unit securely to wall by putting two screws through mounting holes. Screws and plastic wall plugs for mounting are provided. (Fig 4)

Water connections

1. All plumbing work must comply with national and applicable state and local plumbing codes.
2. Make certain that the cold water supply line has been flushed to remove any scale and dirt.
3. Cold water connection (inlet) is on the right side of the unit (Fig 6 # 5), hot water connection (outlet) is on the left side of the unit. (Fig 6 # 6)
5. When all plumbing work is completed, check for leaks and take corrective action before proceeding.



Unit must be installed in a vertical position with the water fittings pointing downward. Do not install unit where it would routinely be splashed with water. Electric shock may result.

1.4 Electrical connection

1. All electrical work must comply with national and applicable state and local electrical codes.
2. The Mini Multipoint should be connected to a properly grounded dedicated branch circuit of proper voltage rating. In installation with several Mini Multipoint units, each unit requires an independent circuit.
3. The "live" wires must be connected to the slots on the terminal block marked L. The ground wire must be connected to the slot marked with the ground symbol.
4. Reinstall plastic cover.



Warning:

Before beginning any work on the electric installation, be sure that main breaker panel switch is, "OFF" to avoid any danger of electric shock. All mounting and plumbing must be completed before proceeding with electrical hook-up where required by local, state or national electrical codes the circuit should be equipped with a "Ground fault interrupter".

1.5 Regulations and Provisions

- Regulations of the local power supply company should be observed.
- Regulations of the water supply company should be observed
- Technical data.
- Install the unit flush with the wall.
- Electrical connection to be secure.
- The device must be capable of being isolated from the mains, for example by fuses, with an isolating distance of at least 3 mm, in all poles.



The unit must be earthed (see circuit diagram). To protect against water penetration, the cable seal (3) must be used.

1.6 Important note



All the information in these Operating and Installation Instructions must be carefully followed. These instructions provide important details regarding the safety, operation, installation, and maintenance of the unit.

1.7 Installation location



The unit is to be installed in a closed, frost-free room (disconnected units are to be stored in a frost-free location, since there will always be some water left in the unit) The MET 60 is to be installed vertically on a wall (hot water connection downwards).

**Warning :**

Open hot water faucet for a few minutes until water flow is continuous and all air is purged from water pipes. The unit's plastic cover must be installed before the circuit breaker is turned on.

Handing over the unit

Explain to the user how the unit works and familiarise him or her with its use.

- Advise the user about possible hazards (high water temperature)
- Hand over these instructions, to be kept in a safe place.

1.9 Service note

When carrying out any work, isolate the unit from the mains and shut off the water connection.

- Clean the filter
Disconnect the union nut, remove washer, filter and clean.
Re-assemble in reverse order.

1.10. Warning

When selecting the temperature at the draw off fitting, high water temperatures may be reached. Children, especially, should be kept from the fitting due to the risk of scalding.

Technical data		MET 60
System design		Closed
Rated pressure		10 bar/1.0Mpa
Nominal capacity	L.	≤ 0.25
Dimension (H x W x D)	mm.	220 x 170 x 80
Weight (empty)	kg.	1.4
Electrical connection		1/N/PE~220...230 V.
Power Regulating device		4 steps control (Off - Low - Med - High)
Rated power (kW) - Rated current (A)		kW - A
	220 V	6.0 - 27.3
	230 V	6.6 - 28.7
Recommended circuit breaker	(A)	30
Recommended cable size	(Sqmm.)	6.0
Water connections (surface installation)		G ½"

2. Operating instructions for the user and the qualified installer

2.1 Important information

- Currently-applicable data on the supply rating plate.
- Install the unit flush with the wall.
- Piped supplementary heating is not permissible.
- Water installation material. Cold water : pipe-steel or copper.
Hot water : pipe-copper.
- Electrical connection to permanently installed leads via circuit breaker.
- Fitting for open-outlet units are not permitted.
- Safety valves are not required.

Additional Safety.

If for any reason, excessive heating occurs the manual reset thermal cut-out will cut off the power permanently.
* Customer must call for service from a qualified technician.

2.2 Putting the water heater into operation

1. Turn on circuit breaker to bring electrical power to the unit.
2. Adjust the water temperature to the desired level using the knob on the front cover of the unit.
3. Turn on hot water and wait twenty seconds until temperature has stabilized.
4. Check the water temperature with your hand and make sure that it does not feel too hot. Reduce if necessary.
5. Explain to the user how the unit works and familiarize him or her with its use.

Advise the user about possible hazards. Hand over these instructions, to be kept for future reference.



Warning:

Open hot water faucet for a few minutes until water flow is continuous and all air is purged from water pipes. The unit's plastic cover must be installed before the circuit breaker is turned on.

Normal maintenance

The Mini Multipoint water heater is designed for a very long service life. Actual life expectancy will vary with water quality and use. The unit itself does not require any regular maintenance. However, to ensure consistent water flow, it is recommended to periodically remove scale and dirt that may build up at the aerator of the faucet or in the shower head.

2.3 Care and Maintenance

All that is needed for cleaning the housing is a damp cloth. Do not use any abrasive cleaning agents or agents containing solvents.



Maintenance work may only be carried out by a qualified technician.

3. Guarantee

For guarantees please refer to the respective terms and conditions of supply for your country.



The installation, electrical connection and first operation of this appliance should be carried out by a qualified installer.

The company does not accept liability for failure of any good supplied which have not been installed and operated in accordance with the manufacturer's instructions.

4. Fault elimination for the user

Fault	Cause	Rectification
No hot water	<ul style="list-style-type: none">- circuit breaker off- safety thermal cut-out tripped	<ul style="list-style-type: none">- turn circuit breaker on- reset thermal cut-out
Water not hot enough	<ul style="list-style-type: none">- water flow too high- voltage too low	<ul style="list-style-type: none">- reduce water flow rate- supply correct voltage to unit

ZANKER
GERMANY