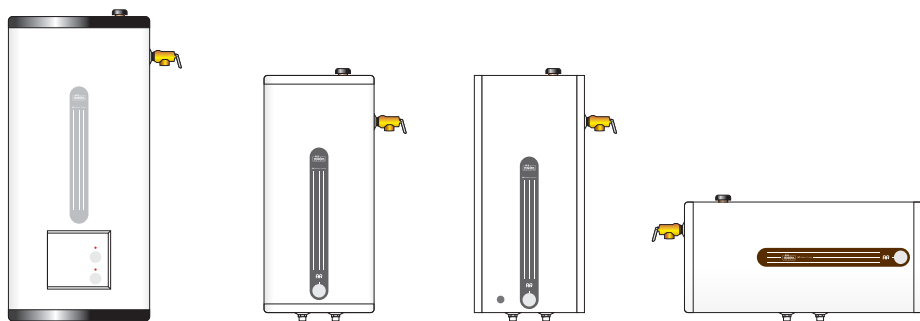




中央儲水式電熱水器

Multi-Point Shower Unit Electric Storage Water Heater



JH系列
Series

安裝及操作使用說明書
Installation and Operation Manual

致各位客戶，
Dear Customers,

多謝選購真富JH中央儲水式電熱水器系列。
Thank you for choosing Jenfort JH Series Central Storage Type Electric Water Heater.

請閣下於安裝及使用電熱水器前，細閱本安裝及操作使用說明書，並保留此說明書作日後參考。

All customers MUST read this Installation and Operation Manual before installing and using your electric water heater. It is advised to keep this manual for future reference.

本電熱水器必須經由合資格的工程人員安裝及測試，才可使用。
All installation or inspection MUST be carried out by a qualified technician.

本電熱水器必須正確連接地線，才可使用。
This electric water heater MUST be properly earthed before use.

兒童、長者及殘疾人士必須由成人或監護人的陪同下才可使用本電熱水器，以免發生燙傷或其他意外。
Children, elderlies and people with disabilities are only allowed to use this electric water heater if they are under the supervisions of an adult or a person responsible for their safety to prevent from scalding or other injuries.

如果閣下對本說明書有任何問題，請聯絡代理商或合資格的專業人士提取意見
If you have questions regarding this manual, please consult the agent or an authorized party for their professional advice.

榮獲 ISO9001: 2015 生產管理認證
Awarded ISO9001:2015 The Management System



榮獲香港工業總會優質標認局頒發
Awarded Hong Kong Q-Mark Product Scheme



維修服務熱線 : 3563 6960
Service Hot-line

總代理 Sole Agent

 A-PLUS (HK) GROUP LTD.
愛家(香港)集團有限公司

目錄

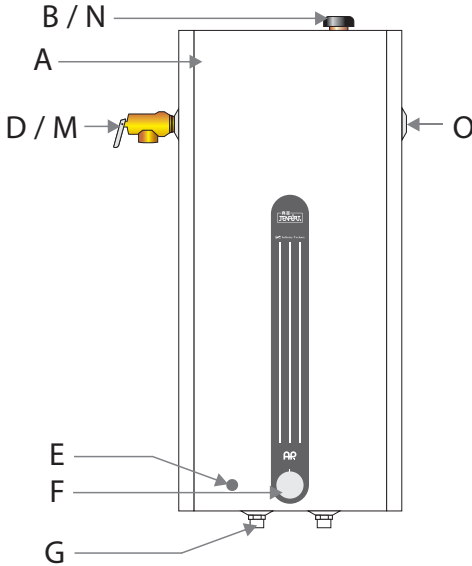
Contents

1. 產品及配件	
Product and Accessories	3
2. 產品特點	
Product Features	4
3. 產品安裝指引	
Instructions for Installation	5-7
4. 安裝注意事項	
Precautions for Installation	8
5. 產品操作指引	
Product Operating Instructions	9
6. 操作注意事項	
Precautions for Operations	9-10
7. 技術參數	
Specification	11
8. 常見問題	
Trouble Shooting	12
9. 保養條款	
Warranty Terms and Conditions	13

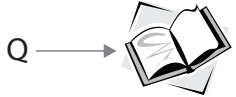
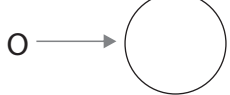
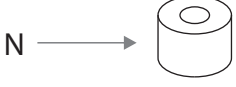
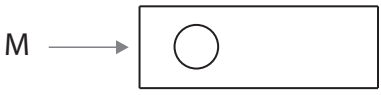
★ 如本說明書有任何更改，恕不作另行通知★
This information in this manual is subject to change without prior notice★

1. 產品及配件

Product and Accessories



- A: 主機
Main Body
- B: 防真空閥
Anti-Vacuum Valve
- D: 溫度及壓力排放閥
Pressure & Temperature Relief Valve
- E: 指示燈
Indication Light
- F: 恆溫掣旋鈕
Thermostat Control Switch
- G: 喉管接駁位置
Pipe Nut
- M: PVT保溫膠
Thermal Insulation for PTV
- N: AV保溫膠喉
Thermal Insulation for AV
- O: PTV預留保溫膠
Thermal Insulation for Reserved PTV
- P: 保養卡
Warranty Card
- Q: 安裝及操作使用說書
Installation and Operation Manual



請注意：配件B、D、M、N及O是分開包裝。

Please note: Parts B, D, M, N and O are packed separately in the accessories package.

B:	指示燈 Indication Light	<ul style="list-style-type: none"> - 紅色:正在加熱 - Red light indicates water is in the heating process
C:	恆溫掣旋鈕 Thermostat Control Switch	<ul style="list-style-type: none"> - 向右旋轉可增加水溫 - 向左旋轉可減低水溫 - Turn clockwise to increase water temperature - Turn anticlockwise to decrease water temperature

每一部電熱水器均包括以上之標準配件；如因使用未經許可的配件而導致任何損壞，客戶需自行負責因該損壞造成的損失及責任。

Each unit is provided with a standard accessories package as stated above; If any damage on the heater occurs which is caused by using any unauthorized accessories, incorrect installation or physical damaged, the warranty will not apply on these circumstances and customers shall be responsible for any cost to rectify the situation.

出水溫度穩定

Stable water temperature.

在水壓不穩的情況下，仍可出水流暢

Suitable for unstable water pressure.

防超溫安全保護裝置

Equipped with an overheat safety cutout.

優質保溫層，保溫力特強並減少熱量流失

High density insulation layer reducing heat loss to the minimal.

五分鐘快速加熱，即可達到舒適水溫，以供漱洗用途

Provide comfortable temperature for the morning freshen up in just 5 minutes.

符合國際電工協會IEC-60335-1，IEC-60335-2-21安全標準

Compliant to the IEC-60335-1, IEC-60335-2-21 Standard

真富JH中央儲水式電熱水器系列之熱水器在水壓不穩的情況下，仍能提供穩定而流暢的熱水。為達至安全目的，JH系列內置防超溫安全保護裝置。

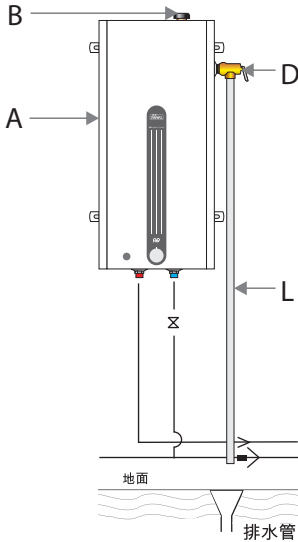
Jenfort JH Series Central Storage Type Electric Water Heater can provide constant hot water under unstable water pressure situation. For safety purposes, JH Series also equipped with an overheating protection system;

當水溫超出一定的水溫限制時，防超溫安全保護裝置會自動切斷電源。另設有優質保溫層，減少熱量流失，節省能源。

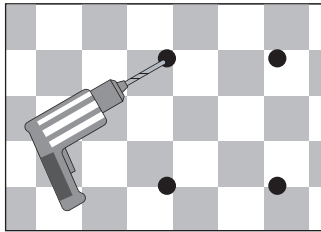
When the water temperature exceeds the preset limit, the system will cut the power off automatically. In addition, for energy saving, the high density insulation layer can reduce heat loss to the minimum.

3.1 牆壁掛架安裝指引 Installing the Bracket

直掛牆式

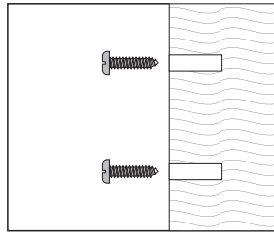


- A: 主機
Main Body
- B: 防真空閥
Anti-Vacuum Valve
- C: 冷水
Cold Water
- D: 溫度及壓力排放閥
Pressure & Temperature Relief Valve
- H: 熱水
Hot Water
- L: 溫度及壓力排放喉(接駁至最近排水管)
Pressure & Temperature Relief Valve (PTV)
(connect to nearest Drain Pipe)
- ⊗ 閘掣
Valve
- ⊕ 冷熱水掣
Tap



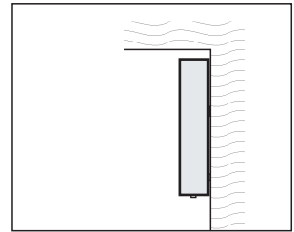
3.1.1
請選擇一幅能承受熱水器重量的牆壁或混凝土牆，記下正確的位置，並用合適螺絲固定裝上牆壁。

Choose a concrete wall that is strong enough to bear the weight of the heater. Mark the position for fixing the mounting bracket and secure it with suitable screw.



3.1.2
請確保所有接合點連接正確，並無滲漏。

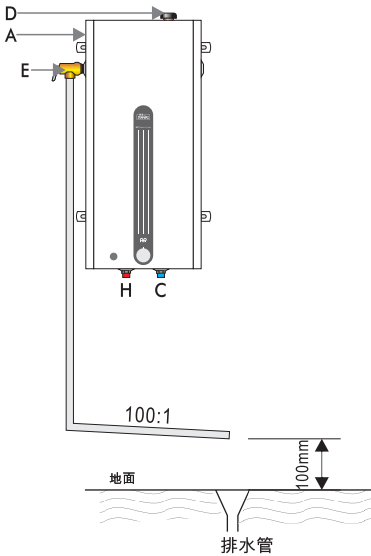
Make sure all the parts are well connected without any leakage.



3.1.3
請根據圖示把熱水器垂直安裝；傾斜度不能大於5度。

Install the water heater vertically as shown; the gradient CANNOT be greater than 5 degrees.

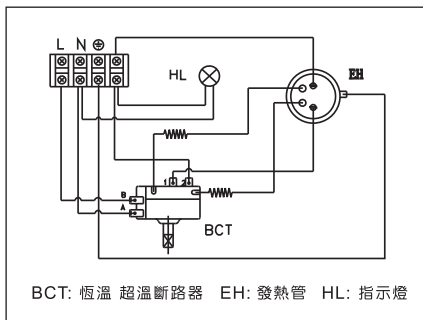
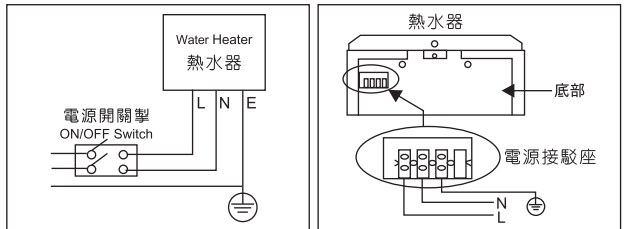
3.2 防真空閥、喉管及壓力排放安裝指引 Installation instructions for Pipe and Safety Valve



- 3.2.1 安裝防真空閥後，將防真空閥黑色帽子取下，套上 AV 保溫膠喉(N)再蓋上黑色帽子。
Install the Anti-Vacuum (AV) on top of the heater and remove the black cap, cover the AV with the Thermal Insulation provided (N) and replace the black cap.
- 3.2.2 安裝溫度壓力排放閥後，用提供的PTV保溫膠 (M) 包影排放閥；自行加上膠紙捆綁此PTV保溫膠，確保溫度壓力排放閥與PTV保溫膠穩固貼合。
Install the Pressure & Temperature Relief Valve (PTV), wrap the PTV with the Thermal Insulation provided (M). Wrap the Thermal Insulation with sellotape of any kind to secure the position.
- 3.2.3 把排水管接駁至溫度及壓力排放閥。
Connect the drain pipe with the pressure and temperature relief valve (PTV).
- 3.2.4 排水管的出口需垂直並指向最近的地面排水渠口；如水管需平放安裝，則需最少有 100:1 的斜度指向渠口。
Drain pipe outlet must point towards to the nearest drainage in a vertical position; or lay on the floor with 100:1 gradient to the drainage.
- 3.2.5 排水管的出口需離開地面最少 100 毫米距離，以免造成堵塞。
A minimum clearance of 100mm between the floor and the drain pipe to prevent blockage.
- 3.2.6 不能把水管出口堵塞或接駁至其他配件。
Do not block or connect other accessories to the drain pipe.
- 3.2.7 用提供的 PTV 預留保溫膠(O)，把不選用的預留排放閥接駁位封好。
Seal the unused PTV connection with the Thermal Insulation provided (O).

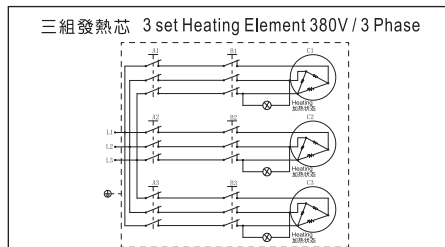
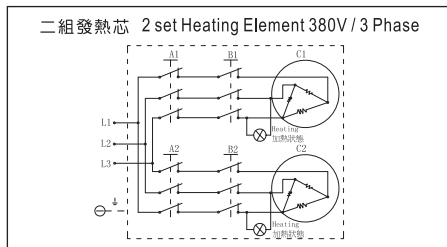
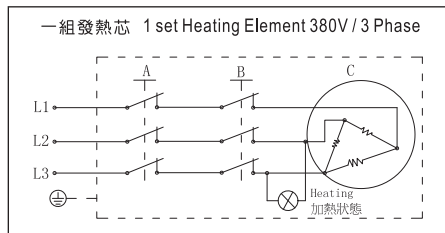
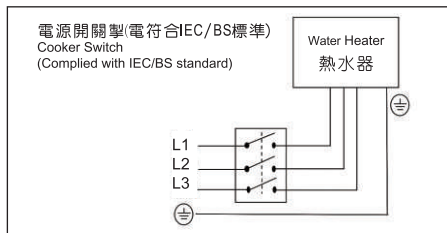
3.3 電源線接線圖示 Wiring Connection Diagram

3.3.1 單相接線圖 1 Phase Wiring Connection Diagram



3.3.2 三相接線圖

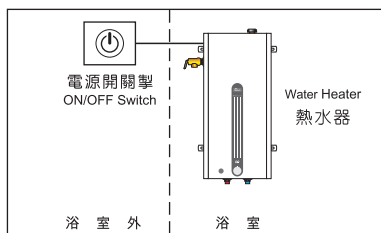
3 Phase Wiring Connection Diagram



A = 超溫斷路器 Thermal cut out

B = 恆溫掣 Thermostat

C = 發熱芯 Heating element



3.3.3 請安裝電源開關掣於浴室外之適當位置，然後用標準電線把電源開關及熱水器的電源接線線上相應的接線端連接好。

Power switch should be installed at an appropriate position outside the bathroom, connect the heater to the power switch using the appropriate wire.

3.3.4 所有電線安裝必須根據發熱線的功率及當地的電力條例。載流量必須合乎熱水器的額定功率，並預留有額外安全容量。

Depending on the power rating, installation must comply with the local electric power regulation. The current-carrying capacity must fulfill the water heater's power rating and have reserve for extra capacity.

警告

於完成安裝熱水器後，必須關閉電源，開啟水龍頭並轉至紅點位置，讓冷水及氣泡流出至少一分鐘，然後可關閉水龍頭。

此步驟只需在第一次安裝後、每一次維修後或暫停供水後進行，以避免因水箱沒水或合適的水量而導致發熱管損壞。

After the installation of the water heater, **make sure the power supply is switched off** and turn on the Non Pressure Type Water Mixer. Keep the hot water on until the tank is completely full and water running out for at least 1 minute before turning off.

This procedure is only required after the first installation, maintenance or water shortage, to prevent the damage of the heating element when the inner tank is empty or without suitable water level.

4.1 安裝熱水器之基本條件

Basic requirements for installing the electric water heater

- 4.1.1 必須使用經批准及安全的供電系統。
Electricity supply must be provided by authorized parties.
- 4.1.2 必須使用經批准及穩定的供水系統。
The water supply system must use approved and stable.
- 4.1.3 必須安裝於固定的混凝土實心磚牆或足以承受熱水器重量的牆壁上。
Must be installed on concrete wall which is strong enough to bear the weight of the heater.

4.2 安裝熱水器之安全守則

Safety rules for electric water heater installation

- 4.2.1 此熱水器電源須獨立接駁於配電箱，並須根據當地電力標準及條例。
Electrical wiring of the heater must be directly connected to the individual main supply, complying to the standard and regulations of the local electricity regulation;
 - 4.2.2 根據使用電力條例及地方標準，熱水器必須連接至以下其中一種安全斷路系統：
According to the electricity regulations and local standard, the water heater MUST be connected to one of the open circuit systems as shown below:
 - 合適的自動斷路系統
A suitable MCB System
 - 合適的漏電斷路系統
A suitable RCCB System
 - 4.2.3 所有安裝必須由合資格的技術人員進行及完成，並使用原裝配件。代理商、生產商或供應商不會承擔因不正確或非授權之安裝引致的故障及損壞的責任。
All installation MUST be carried out by a qualified technician and to use all the original accessories. The Sole Agent, manufacturer or suppliers will not be responsible for any defect or damage caused by incorrect installation.
 - 4.2.4 安裝的位置必須有足夠的地面排水位。
The position for the installation must provide adequate floor drainage.
- 4.3 電源開關掣必須達至國際電工協會IEC最新標準，並必須安裝於浴室之外。
The power supply switch must comply with latest IEC standard and it must be located outside the bathroom.
- 4.4 熱水器的安裝必須穩固，並正確地接駁電源。
The installation of the water heater must be stable and properly connected with the power supply.
- 4.5 本熱水器不能接駁任何外置的自動開關裝置。
例如，定時器或連接到由通用部件定時進行通斷的電路。
The appliance cannot be installed together with any external power control.
e.g. Timer or other Power Supply controlled by a specify device.
- 4.6 在沒有監督的情況之下，兒童、殘疾或傷殘人士，都不應獨自操作本熱水器，以免燙傷、觸電或其他意外。
Do not allow children, people with physical or mental disabilities to operate the water heater without any supervision, to prevent from scalding, electric shock or any other injuries.
- 4.7 若本產品之安全斷路器被啟動後，將不能自動重設。建議客戶由合資格技術人員進行重設斷路器及請必先關閉電源方可進行。
If the safety thermal cut out is activated, it can not be re-set automatically. Customer is advised to inform the qualified parties and have them reset the cut out without any power supply to the unit.
- 4.8 安裝掛牆式電熱水器時，建議安裝於離地面至少150厘米的位置。
When installing a wall-mounted unit, a minimum clearance of 150cm is recommended from the floor to the unit.

5.1 操作指南

Operating Guide

- 5.1.1 熱水器必須安裝於一個正確的位置，並依照安裝指引進行方可使用。
Water Heater must be installed in a proper location and to follow the installation instructions before use.
- 5.1.2 開啟熱水器之前，請確保水箱內含水；當開啟電源掣後，紅色顯示燈亮起，熱水器會立即開始加熱。
Make sure the inner tank is filled with water and the power supply is on, the unit will immediately start heating up and the heating indication Red light will come on.
- 5.1.3 當水溫達到預設的溫度時，加熱指示燈會自動熄滅。
When the water temperature reaches the per-set temperature, the heating indication light should go out.
- 5.1.4 當使用熱水時，首先開啟水龍頭並轉至藍點位置流出冷水，在逐漸轉至紅點方向放出熱水並調校至適合沐浴之水溫。
When drawing hot water, turn the mixer tap to the BLUE dot position for drawing cold water first, then gradually turn the mixer tap towards the RED dot position for mixing hot water until a suitable temperature is reached.

6. 操作注意事項

Precautions for Operations

- 6.1 由於水可能會從溫度及壓力排放閥的水管出口排出，因此該水管出口必須與大氣相通及沒有任何阻塞。
Water may be dripping out from the Pressure and Temperature Relief Valve (PTV) drain pipe, hence the pipe must be left opened all the times.
- 6.2 溫度及壓力排放閥的水管必須使用連續性向下的方法安裝，而水管周圍不能有結霜之情況發生。
The Pressure and Temperature Relief Valve (PTV) drain pipe must be installed vertically pointing downwards and the surroundings must be kept from frosting.
- 6.3 溫度及壓力排放閥必須作定期測試(建議每三個月)，以防阻塞情況發生。
Testing of the Pressure and Temperature Relief Valve (PTV) must be carried out regularly (suggested in every 3 Months) to avoid blockage.
- 6.4 在加熱過程中，如溫度的壓力排放閥出現少量滴水屬正常情況，不須採取任何行動。
During the heating process, it is absolutely normal that small amount of water drips out from the Pressure and Temperature Relief Valve (PTV) hence NO action is required.
- 6.5 在加熱過程中，如溫度及壓力排放閥出現大量水和氣體排放時，則可能有以下問題：
If a considerable amount of water flows through the PTV pipe during the heating process, the possible reasons are as follow:
- 溫度及壓力排放閥損壞
PTV failure
 - 供水水壓過大
The pressure of the Incoming Water is too high
 - 恆溫器損壞而導致水溫上升及壓力過強而排泄
Thermostat failure

發生以上問題時，使用者應立即採取以下措施：

Immediate action should be carried out by the user as follow:

- 關掉電源
Switch off the power
- 關掉供水閘掣
Turn off the gate valve
- 聯絡代理商或其認可的服務中心安排檢查或維修
Contact the Sole Agent or an Authorized party to arrange an inspection.

- 6.6 請勿在熱水器上放置任何物件。
Do not put any objects on top of the water heater.
- 6.7 熱水器的供電電源需定期由合資格的技術人員進行檢查。如發現電線有任何損壞或過熱的情況發生，必須立即關閉電源，通知代理商或代理商授權的技術人員安排檢查。
Regular check up of the power supply to the water heater is essential and should be performed by a qualified technician. Any damage found or the cable has a sign of overheat, switch off the power supply immediately. Inform the agent to arrange a check up.
- 6.8 請勿與其他家電設備供同一電源或不應使用電源延伸座接駁電源及熱水器。
Do not share the same power supply with other electric appliance and do not use extension cable to connect the power supply to the water heater.
- 6.9 如熱水器發生故障，切勿自行維修或更換零件；請聯絡代理商或其認可的服務中心安排檢查或維修。
If there is a fault of the water heater, do not attempt to repair or replace any component parts by yourself; contact the agent or an authorized party to arrange an inspection.
- 6.10 如長時間不會使用熱水器，請關閉電源；在重新使用前，先進行檢查，並把熱水龍頭打開直至水注滿內膽，及確保水箱有足夠水量方可開啟電源。
If the water heater is not going to be used for a long period of time, please switch off the power supply. Before re-use, perform the checking procedure by drawing hot water to ensure the water tank is full before switching on the power.
- 6.11 請使用原裝配件，禁止使用任何未經許可之配件。
Please ensure the use of the original accessories and DO NOT replace any parts when are not authorized.
- 6.12 在停水期間，請勿開啟或使用本熱水器。
During water shortage, do not use or switch the water heater on.
- 6.13 安裝本熱水器之地台位置，必須有適當的地台排水設施。
The location for the installation of the water heater should have an adequate floor drainage.
- 6.14 如熱水器之水箱需作清潔或維修工作，請依照以下程序將水箱內之水完全排出後方可進行：
Prior to any maintenance or repair, it is required to drain out all the water from the tank before carrying out any work. The procedures to drain off the tank are as follow:
- 6.14.1 先把來水閘掣關上並把熱水器之電力斷路掣關掉。
Close the gate valve and switch off the power supply to the storage water heater.
- 6.14.2 使用正確工具把底部的防水蓋鬆脫並打開，然後待水從內膽完全流出。
Use appropriate tools to open the bottom cover and loosen the drain stopper of the storage water heater; drain out all the water from the tank until empty.
- 6.14.3 在完成維修或清潔程序後，可以把放水蓋合上並收緊；把水閘掣和熱水龍頭打開直至水注滿內膽，方可重新開啟電源使用。
Upon the completion of the repair, tighten back the drain stopper; turn on the hot water to refill the tank until full before switching on the power supply.
- 6.15 本熱水器之最大入水壓力為1.0 MPa。
The maximum inlet water pressure for this water heater is in pascals : 1.0 MPa.
- 6.16 如供水系統的來水水壓超過0.5 MPa (5 Bar)，用戶必須額外加裝減壓器將水壓減低。
If the incoming pressure exceeds 0.5 MPa (5 Bar), an additional pressure control device should be installed.

方型中央式 Multi-Point Wall-mount Rectangular Unit

型號 Model	款式 Item	容量 Capacity (公升) Liters	呎吋 Size (毫米 mm)			功率 Power Rating (千瓦 kW)	
			高H	闊W	深D	220V	380V
JHR-3.5	-	15L	470	308	318	3 / 4	-
JHR-6.5	-	25L	700	308	318	3 / 4	-
JHR-10	-	38L	700	358	365	3 / 4	6 / 9

圓型中央式 Multi-Point Wall-mount Cylindrical Unit

型號 Model	款式 Item	容量 Capacity (公升) Liters	呎吋 Size (毫米 mm)		220V	功率 Power Rating (千瓦 kW)
			高H	直徑Ø		
JHC-3.5	A/B/C/D	15L	470	356	3 / 4	-
JHC-6.5	A/B/C/D	25L	700	356	3 / 4	-
JHC-10	A/B/C/D	38L	700	432	3 / 4	6 / 9
JHC-15	A/B/C/D	55L	700	504	3 / 4	6 / 9
JHC-20	A/B/C/D	76L	965	504	3 / 4	6 / 9
JHC-25	A/B/C/D	95L	1125	504	3 / 4	6 / 9
JHC-30	A/B/C/D	115L	1065	554	3 / 4	6 / 9 / 18
JHC-40	C/D	150L	1260	554	3 / 4	6 / 9 / 18
JHF-50	C/D	190L	1260	656	3 / 4	6 / 9 / 18 / 27 / 36 / 45
JHF-80	C/D	300L	1680	556	3 / 4	6 / 9 / 18 / 27 / 36 / 45
JHF-100	C/D	380L	1550	656	-	6 / 9 / 18 / 27 / 36 / 45
JHF-150	C/D	570L	1700	756	-	6 / 9 / 18 / 27 / 36 / 45
JHF-200	C/D	760L	2200	756	-	6 / 9 / 18 / 27 / 36 / 45
JHF-250	C/D	1000L	2330	840	-	6 / 9 / 18 / 27 / 36 / 45
JHF-250	C/D	1000L	2000	910	-	6 / 9 / 18 / 27 / 36 / 45

恆溫控制	Thermal Control	由35°C到75°C可自由調較 35°C-75°C Adjustable
超溫斷路器	Thermal Cut-Out	90°C可重置式 90°C Manual - Resettable
測試/工作水壓	Test/Max. Working Pressure	2.0 MPa / 1.0 MPa
防護等級	IP-Rating	IP21

指示燈狀態 Indication Light Status	狀況 Condition	一般原因 Reason in general
沒有顏色 No Color	指示燈沒有亮起，沒有熱水供應 Indication light does not come on and no hot water supply	未有連接電源 Power supply failure
沒有顏色 No Color	指示燈長時間沒有亮起，但有熱水供應 Indication light does not come on for a long time but hot water is available	指示燈損壞 Indication light is faulty
紅色 Red color	紅色加熱指示燈長時間亮起，但沒有熱水供應 Indication light is on for a long time but no hot water supply	發熱管損壞 Heating element is damage
紅色 Red color	紅色加熱指示燈長時間亮起，但出水溫度過熱 Indication light is on for a long time but water is too hot	恆溫掣故障或損壞 Thermostat failure or damage

- 9.1 電熱水器在自然損耗情況下，水箱保用十年，其他配件保用兩年。
Under the natural wear and tear circumstances, the water tank will have a 10 year guarantee; where other parts will have a 2 year guarantee.
- 9.2 上述之保養服務將會由購買日起開始生效，如產品在保養期內發生問題，代理商將會提供維修或更換零件的服務。
The above warranty will start on the date of purchase. If any problem occurs within the warranty, the agent will be responsible for the maintenance or parts replacement that states within the warranty agreement.
- 9.3 如損壞由以下情況所引起，此保養將不會生效：
The warranty will become invalid if the damage is caused by the followings:
- 9.3.1 未有按照本說明書安裝或使用本熱水器；
Installation or usage that does not comply with the instruction manual;
- 9.3.2 使用非生產商提供之配件；
Usage of any accessories which are not provided by the manufacturer;
- 9.3.3 由未經許可之人員進行安裝或改裝本熱水器。
The water heater was installed or refitted by an unqualified person.
- 9.4 如熱水器用於商業用途，本保養將自動失效。
This warranty will no longer be applicable if the water heater is used for commercial purposes.
- 9.5 如損壞是由自然災害、人為錯誤或疏忽、濫用或誤用所引起，本保養將自動失效。
This warranty will not cover damages that caused by natural disasters, human errors, misused or any other inappropriate manners.
- 9.6 任何公共交通工具不能到達之偏遠地區或非辦公時間內提供服務，本公司將會收取附加費。
A supplementary charge will apply where the service location is classified as remote areas and not be accessed by public transports; and or when service is required during non office hours.
- 9.7 兩年保用期屆滿後，本公司會另外再提供八年內膽保用。此服務只應用於熱水器內膽之維修；其他費用，如檢查、運送、人工或裝拆均需額外收費。
When the 2 years warranty period is up, A-Plus will provide an additional 8 years warranty on the inner tank. This additional warranty applies only to the maintenance of the inner tank. Extra cost such as inspection, transportation labor or installation may apply on this additional warranty.
- 詳情請向本公司客戶服務部查詢。
For more enquirers please contact our Customer Service hot-line.
- 9.8 此服務只適合於香港使用
This service is only valid in Hong Kong.

總代理 Sole Agent



A-PLUS (HK) GROUP LTD.
愛家(香港)集團有限公司

香港葵涌青山公路403號匯城集團大廈5樓A-E室

Unit A-E, 5/F, Reason Group Tower, 403 Castle Peak Road, Kwai Chung, N.T., Hong Kong

電話號碼 Tel. : 3563 7238 傳真號碼 Fax. : 3563 8793

電郵 E-mail : company@aplusgroup.hk

網址 Website : www.aplusgroup.hk

APJHWT2207MAN
220720_051MKT